



**WYECO**

# **Globe Control Valves** *since 1975*

WYECO AUTO VALVES CO., LTD. was founded in 1975. In 1988, the company was the first in the industry to utilize computerized precision CV testing and also developed Wyeco's Graphic Control CV testing.

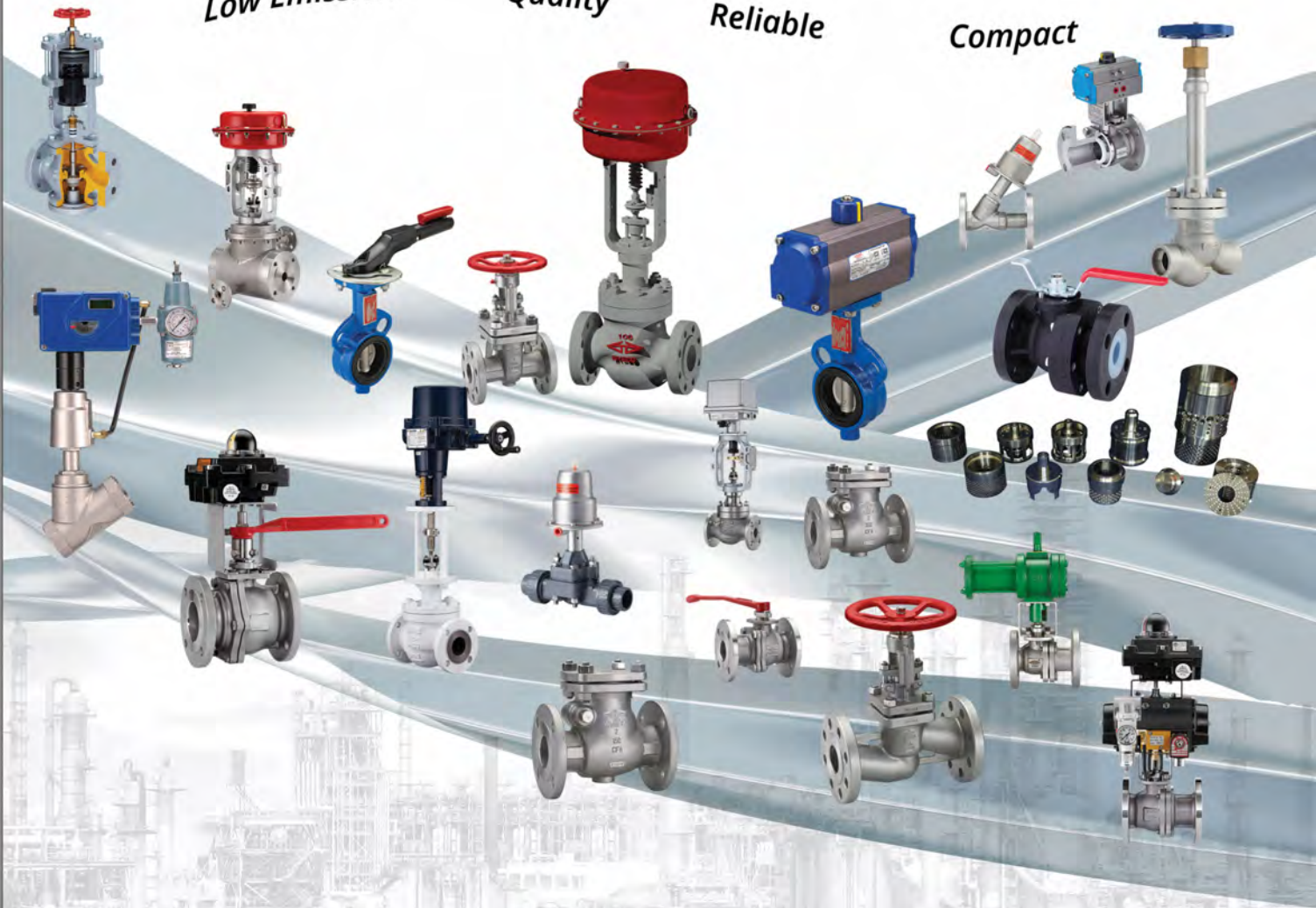
**Ask us about OEM and ODM service**

*Low Emission*

*Quality*

*Reliable*

*Compact*



*Design, Manufacture, Maintenance,  
Customize, CV Testing, Consultation*

**MADE IN  
TAIWAN**



**CRN**



**CE**







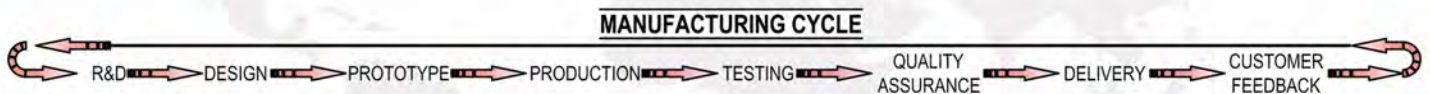
WYECO AUTO VALVES CO., LTD. was founded in 1975 in Taiwan. The company is a well-established and high-quality valve producer for nearly half a century with cutting edge research & development and modern manufacturing facilities. The company specializes in producing high-quality industrial ball, check, butterfly, plug, gate, globe, and cast-iron valves with customer's safety in mind. In addition, the company is one of the leading suppliers of OEM/ODM products to companies such as ICHINOSE CO., LTD. of Japan.

The company has a long and proud history in valve design and production. In 1986, the company developed various automated control valves, among which the first generation of Y-type control valve and obtained patents. In 1988, the company was the first in the industry to utilize computerized precision CV testing and also developed the company's Graphic Control CV testing.

The company is known for its reliability, on-time delivery and competent customer service. In term of comparable companies, the company is on par with established valve manufacturers such as FISHER, KOSO, SAMSON, AND MASONEILAN. The company employs over 100 employees with operations in Asia and in North America.

#### Achievements:

- Wyeco's exclusive Valve Sizing Program.
- Recognized as one of Asia's largest and top valve manufacturer
- Developed advanced valve CV value testing equipment in Taiwan
- Offered exclusive valve sizing program to supply a wide range of solutions for a wide range of sectors
- Achieved honored status with ISO – 9001 certifications
- Provided OEM/ODM services to top industrial valve manufacturer in Japan and in Asia
- Dedicated to innovation with state-of-the-art R & D and modern manufacturing facilities.



#### UPCOMING COMPANY ANNOUNCEMENT

- To meet the growing demand for Wyeco's products, the company is launching an additional production facility and the said facility will be Taiwan's largest control valve production facility.
- Wyeco is launching a brand new world class Level -2 Laboratory.
- Through continuous R&D, the company has developed intelligent valve life prediction program.

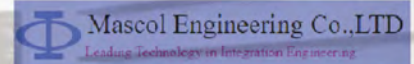
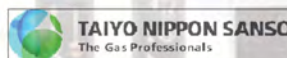
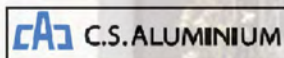
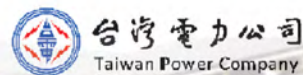
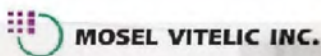
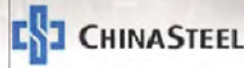




## Index

- 1 ----- 9000 Series Control Valve.
- 3 ----- 8000 Series Control Valve.
- 5 ----- 7000 Series 3-Way Control Valve.
- 7 ----- Cylinder Actuated Y-Type Control Valve.
- 9 ----- Sanitary Control Valve.
- 11 ----- Hyper-Cryogenic Emergency Shut-off Valve.
- 13 ----- Steam Trap.

## Official Control Valve Supplier of:



*and more...*





**WYECO**



# 9000 Series Control Valve

## PRODUCT FEATURES:

### SPECIFICATION:

- 9000 Series is a heavy-duty globe control valve engineered to high-flow capacity combined with low-pressure recovery and provide efficient and dependable performance over a wide range of pressure and temperature.

### TOP GUIDE / CAGE GUIDE:

- Cage Guide with Balanced and Pilot Type.

### BONNET TYPE:

- Standard & Cooling Fin.

### LEAKAGE CLASS:

- ANSI / FCI 70-2 Class III, IV, V.

### LOW EMISSION:

- Low Emission Packing to meet the latest environmental regulations.

### FEATURES:

- High Flow Capacity
- High Pressure Drop Capability
- Reduced Actuator Size & Thrust Requirement
- Improved Stability with Large Guide Area
- Low Noise & Anti-Cavitation Trims
- NACE Compliance (MR0175 / ISO15156)
- Single-Stage, Multi-Stage, and Pilot Balanced Trim
- Internal Diffuser

## DESIGN FEATURES:

### VALVE BODY:

- ASME / ANSI B16.34: Valve flanged, threaded & welding end.
- ASME / ANSI B16.5: Pipe flanged & flanged fitting.
- ISA 75.08.01 / IEC 60534-3-1: Face -to-Face & End-to-End dimension of valve
- ASME CLASS 150, 300, 600: Body Rating.

### LEAKAGE:

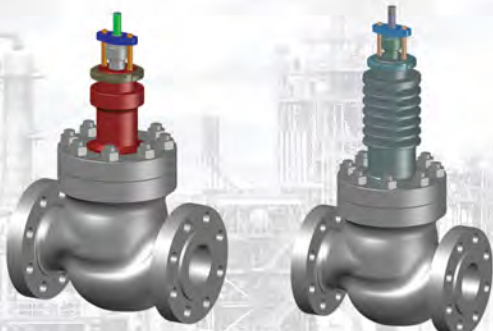
- ANSI / FCI 70-2/B16.104 / IEC 60534-4: Leak test.

### NACE International:

- NACE MR0175 / ISO15156: Petroleum & Natural Gas Industry- Materials for use in H2S containing environmental in Oil & Gas production
- NACE MR0103: Materials Resistance to Sulfide Stress Cranking in Corrosive Petroleum Refining Environment.

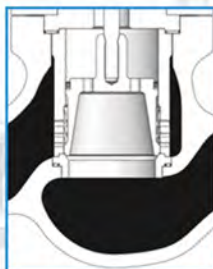
### APPLICATIONS:

- Heavy Machine, Instrument Industry
- Petrochemical Industry
- Chemical Industry
- Steel Industry
- General Industry

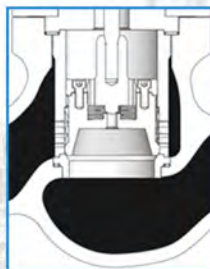


STANDARD

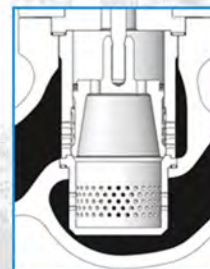
COOLING FIN



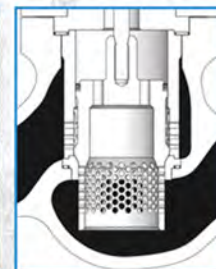
Multi- hole cage with Balanced Plug



Multi- hole cage with Pilot



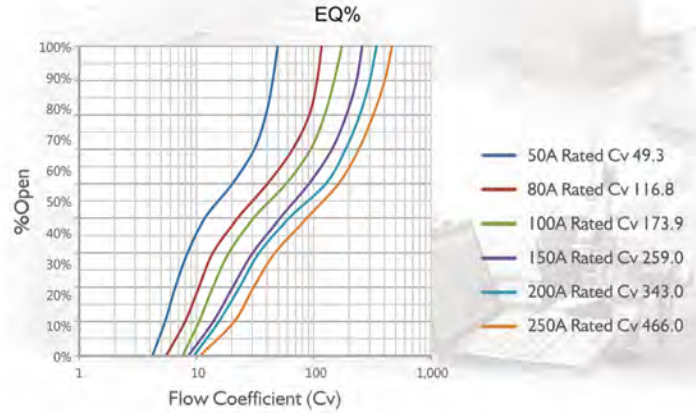
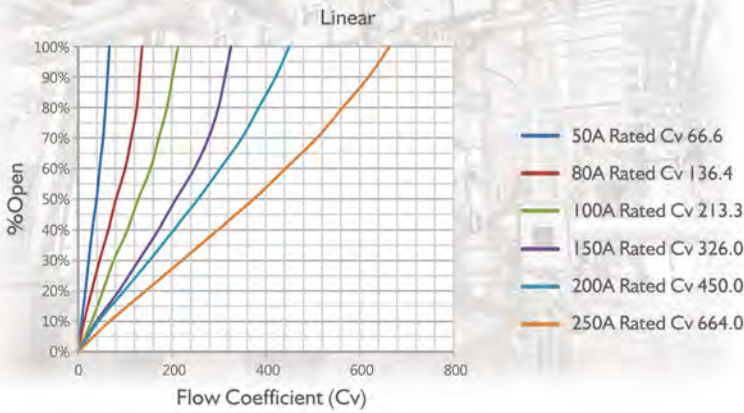
Multi- hole cage with diffuser



Multi- hole cage with Perforate Plug



# FLOW COEFFICIENT CHART

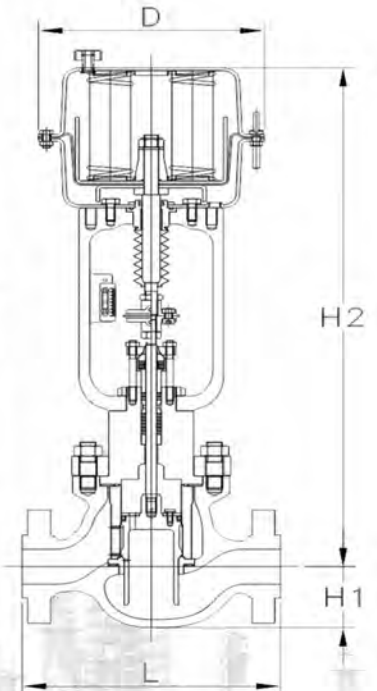


**Note:** (1) Cv values from 2" to 4" are test.  
 (2) Cv values from 6" to 10" are simulation.  
 (3) If there are other Cv values requirements, please contact Wyeco Auto Valve Co., Ltd. for getting information.

| ISA-75.08.01 |     |         |        | Class 150 |         |             |        |         |             |
|--------------|-----|---------|--------|-----------|---------|-------------|--------|---------|-------------|
| Valve Size   |     | H2 (mm) | D (mm) | RF        |         |             | RTJ    |         |             |
| DN           | NPS |         |        | L (mm)    | H1 (mm) | Weight (kg) | L (mm) | H1 (mm) | Weight (kg) |
| 150A         | 6   | 850     | 460    | 451       | 140     | 198         | 464    | 140     | 206         |
| 200A         | 8   | 1125    | 465    | 543       | 172     | 350         | 556    | 172     | 360         |
| 250A         | 10  | 1155    | 560    | 673       | 203     | 486         | 686    | 203     | 498         |

| ISA-75.08.01 |     |         |        | Class 300 |         |             |        |         |             |
|--------------|-----|---------|--------|-----------|---------|-------------|--------|---------|-------------|
| Valve Size   |     | H2 (mm) | D (mm) | RF        |         |             | RTJ    |         |             |
| DN           | NPS |         |        | L (mm)    | H1 (mm) | Weight (kg) | L (mm) | H1 (mm) | Weight (kg) |
| 50A          | 2   | 725     | 250    | 267       | 83      | 64          | 282    | 83      | 65          |
| 80A          | 3   | 800     | 350    | 318       | 105     | 101         | 334    | 105     | 103         |
| 100A         | 4   | 804     | 350    | 368       | 127     | 126         | 384    | 127     | 133         |
| 150A         | 6   | 856     | 460    | 473       | 159     | 198         | 489    | 159     | 206         |
| 200A         | 8   | 1125    | 465    | 568       | 191     | 350         | 584    | 191     | 360         |
| 250A         | 10  | 1169    | 560    | 708       | 222     | 486         | 724    | 222     | 498         |

| ISA-75.08.01 |     |         |        | Class 600 |         |             |        |         |             |
|--------------|-----|---------|--------|-----------|---------|-------------|--------|---------|-------------|
| Valve Size   |     | H2 (mm) | D (mm) | RF        |         |             | RTJ    |         |             |
| DN           | NPS |         |        | L (mm)    | H1 (mm) | Weight (kg) | L (mm) | H1 (mm) | Weight (kg) |
| 50A          | 2   | 725     | 250    | 286       | 83      | 68          | 289    | 83      | 69          |
| 80A          | 3   | 800     | 350    | 337       | 105     | 106         | 340    | 105     | 108         |
| 100A         | 4   | 804     | 350    | 394       | 137     | 142         | 397    | 137     | 149         |
| 150A         | 6   | 866     | 460    | 508       | 178     | 247         | 511    | 178     | 255         |
| 200A         | 8   | 1140    | 465    | 610       | 210     | 450         | 613    | 210     | 460         |
| 250A         | 10  | 1177    | 560    | 752       | 254     | 650         | 755    | 254     | 662         |







## 8000 Series Control Valve



### PRODUCT FEATURES:

#### **SPECIFICATION:**

- Low pressure drop, general medium, anti-cavitation process, anti-flashing process and low-noise process.

#### **TOP GUIDE / CAGE GUIDE:**

- Below 1.5" is top guide, above 2" is cage guide and balance type is available above 2.5" with full port.

#### **REDUCED CAPACITY AND LOW FLOW TRIM:**

- A series of reduced trim is available to provide a wide flow range capabilities in all valve sizes. Optional trims are available.

#### **PRESSURE CAPABILITY:**

- Shut-Off pressure of various actuators are fitted to specific Leakage Classes or can be calculated by using WYECO's sizing program.

#### **LEAKAGE CLASS:**

- Class IV is standard, optional constructions meets IEC 60534-4 and ANSI/FCI 70.2, Class IV, V & VI.

#### **QUICK CHANGE TRIMS:**

- For easy maintenance.

#### **LOW EMISSION:**

- Low Emission Packing to meet the latest environmental regulations.

#### **OPTIONAL NACE COMPLIANCE:**

- 8000 Series is available for Sour Service Application using design and constriction methods in accordance with NACE Standard MR 0103-2010. Applications requiring compliance to NACE Standard MR 0175/ISO 15156-2009 require engineering review.

#### **FEATURES:**

- 2-stage/ multi-hole Cage/multi-hole Plug V-Plug/V-Cage.
- Plug Design: Contour plug
- Balanced / Unbalanced Plug
- Quick Change Trims
- Reduced Capacity
- Leakage Class: Leakage Class IV, V (Metal Seat) & VI (Soft Seat)
- Low Emission Packing
- Bonnet Type: Standard / Extended / Bellows Seal

#### **CERTIFICATION:**

- **SIL2:** Valves are suitable for safety instrumented system up to **SIL2** (Low damage mode) under consideration of the minimum required hardware fault tolerance HFT=1. Valves may be used in a redundant architecture up to **SIL3**.

### DESIGN FEATURES:

#### **VALVE BODY:**

- ASME / ANSI B16.34: Valve flanged, threaded & welding end.
- ASME / ANSI B16.5: Pipe flanged & flanged fitting.
- ISA 75.08.01 / IEC60534-3-1: Face to Face & End to End dimension of valve.

#### **SIZING & TEST PROCEDURES:**

- ANSI / ISA S75.01: Flow equations for sizing control valve.
- ISA S75.02: Control valve capacity test procedures.
- ISA S75.11: Inherent flow characteristic & rangeability.
- ISA S75.25: Test procedure for control valve response measurement from step inputs.
- IEC 60534-8-3: Noise considerations – Control valve aerodynamic noise prediction method.
- IEC 60534-8-4: Noise considerations – Prediction of noise generated by hydrodynamic flow.

#### **LEAKAGE:**

- ANSI / FCI 70-2/B16.104 / IEC 60534-4: Leak test.

#### **HYDROSTATIC TEST:**

- ANSI / ISA-75.19.01 / B16.34 / API 598

#### **VOC TEST:**

- ISO-15848-1.2 .

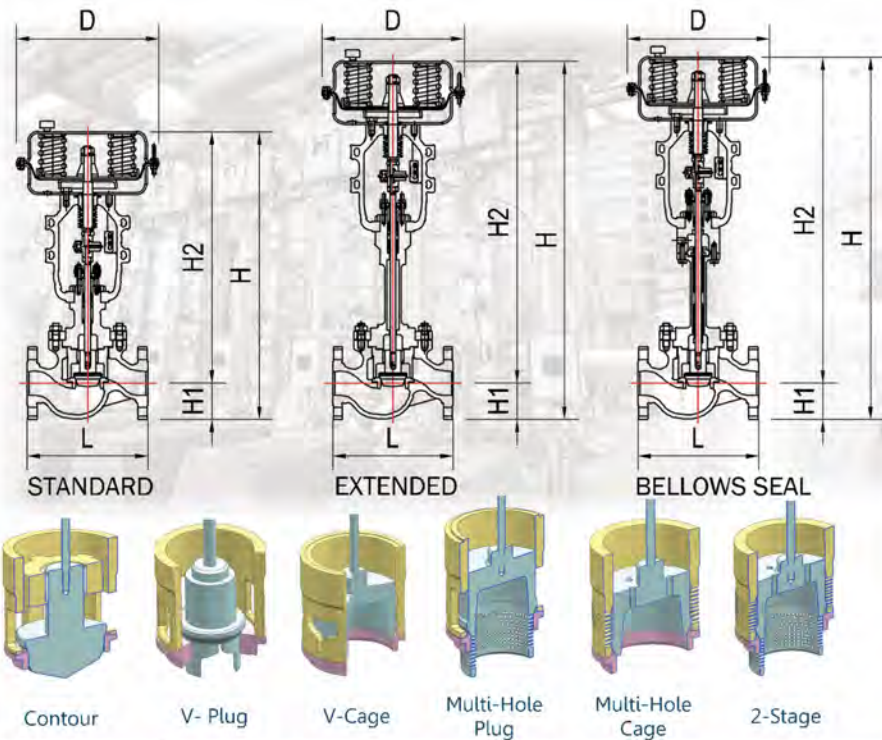
#### **NACE International:**

- NACE MR0175 / ISO 15156: Petroleum & Natural Gas Industry-Materials for use in H2S containing environment in Oil & Gas production
- NACE MR0103: Materials Resistant to Sulfide Stress Cracking in Corrosive Petroleum Refining Environment.

#### **APPLICATIONS:**

- Machine, Instrument Industry
- Petrochemical Industry
- Chemical Industry
- Textile Industry
- Gas & Semiconductor Industry
- Water Treatment Industry
- Steel Industry
- Pulp & Paper Industry





| Product Description |   |
|---------------------|---|
| Body Type           | High Capacity Globe   |
| Body Size           | 1/2" To 4"  |
| End Connection      | ANSI 150 lbs, ANSI 300 lbs, ANSI 600 lbs,<br>JIS 10k, JIS 20k |
|                     | PN16, PN25, PN40  |
| Body Material       | A216 WCB  |
|                     | A351 CF8  |
|                     | A351 CF8M   |
|                     | A351 CF3M   |
| Bonnet Type         | HASTELLOY C (Optional)  |
|                     | Standard: (-17°C to +250°C)                                   |
|                     | Extended: (-196°C to +350°C)<br>Bellows: (-196°C to +350°C)   |
| Leakage Class       | IV, V, VI   |
| Trims               | Type  |
|                     | Seat  |
|                     | Flow Character  |
|                     | Contour   |
|                     | Metal   |
|                     | Soft  |
|                     | Linear  |
|                     | EQ% (Wyeco Modified)  |
|                     | ON-OFF  |

| Contour Trim |             | V-Plug / Cage & Multi-Hole Plug / Cage & 2-Stage Trim |             |                                       |           |                  |                   |          |                 |      |                               |  |
|--------------|-------------|---|-------------|---------------------------------------|-----------|------------------|-------------------|----------|-----------------|------|-------------------------------|--|
| Valve Size   |             | Valve Size  |             | Body Rating                           | Seat Type | Packing Material | Temperature Range |          | Standard Bonnet |      | Seat Leakage Class            |  |
| Inch         | mm          | Inch  | mm          |                                       |           |                  | Min.              | Max.     | Min.            | Max. | IEC 60534-3-1 & ANSI/FCI 70-2 |  |
| 0.5" to 4"   | 15A to 100A | 1"  | 25A to 300A | ASME Class 150 to 300 & Equivalent PN | Metal     | PTFE             | -40°F             | +356°F   | IV              | V    |                               |  |
|              |             |   |             |                                       |           |                  | (-40°C)           | (+180°C) |                 |      |                               |  |
|              |             |   |             |                                       |           | Graphite         | -320°F            | +480°F   |                 |      |                               |  |
|              |             |   |             |                                       |           | Soft             | PTFE              | -40°F    | +356°F          | VI   |                               |  |
|              |             |   |             |                                       |           |                  | (-200°C)          | (+250°C) |                 |      |                               |  |
|              |             |   |             |                                       |           |                  | (-40°C)           | (+180°C) |                 |      |                               |  |

**Standard type bonnet without top mount**

| Valve Size (IEC) | D (mm) | L     |       |       | H2    |       |       | ANSI H |       |       | ANSI H1 |       |       | DIN H |      |      | DIN H1 |      |      |
|------------------|--------|-------|-------|-------|-------|-------|-------|--------|-------|-------|---------|-------|-------|-------|------|------|--------|------|------|
|                  |        | CL150 | CL300 | CL600 | CL150 | CL300 | CL600 | CL150  | CL300 | CL600 | CL150   | CL300 | CL600 | PN16  | PN25 | PN40 | PN16   | PN25 | PN40 |
| 15A              | 250    | 184   | 190   | 203   | 489   | 489   | 505   | 534    | 537   | 553   | 45      | 48    | 48    | 537   | 537  | 537  | 48     | 48   | 48   |
| 20A              | 250    | 184   | 194   | 206   | 489   | 489   | 505   | 538    | 548   | 564   | 49      | 59    | 59    | 542   | 542  | 542  | 53     | 53   | 53   |
| 25A              | 250    | 184   | 197   | 210   | 489   | 489   | 505   | 543    | 551   | 567   | 54      | 62    | 62    | 547   | 547  | 547  | 58     | 58   | 58   |
| 40A              | 300    | 222   | 235   | 251   | 517   | 517   | 534   | 581    | 595   | 612   | 64      | 78    | 78    | 592   | 592  | 592  | 75     | 75   | 75   |
| 50A              | 300    | 254   | 267   | 286   | 529   | 529   | 546   | 605    | 612   | 629   | 76      | 83    | 83    | 612   | 612  | 612  | 83     | 83   | 83   |
| 80A              | 350    | 298   | 317   | 337   | 675   | 675   | 675   | 770    | 780   | 780   | 95      | 105   | 105   | 775   | 775  | 775  | 100    | 100  | 100  |
| 100A             | 350    | 352   | 368   | 394   | 705   | 705   | 705   | 820    | 832   | 842   | 115     | 127   | 137   | 815   | 823  | 823  | 110    | 118  | 118  |
| 150A             | 460    | 451   | 473   | 508   | 856   | 856   | 856   | 996    | 1015  | 1024  | 140     | 159   | 178   | 999   | 1006 | 1006 | 143    | 150  | 150  |
| 200A             | 465    | 543   | 568   | 610   | 1133  | 1133  | 1133  | 1305   | 1324  | 1343  | 172     | 191   | 210   | 1303  | 1321 | 1321 | 170    | 180  | 188  |
| 250A             | 465    | 673   | 708   | 752   | 1159  | 1159  | 1159  | 1362   | 1381  | 1413  | 203     | 222   | 254   | 1362  | 1384 | 1384 | 203    | 213  | 225  |
| 300A             | 660    | 737   | 775   | N/A   | 1378  | 1378  | N/A   | 1743   | 1658  | N/A   | 265     | 280   | N/A   | N/A   | N/A  | N/A  | N/A    | N/A  | N/A  |

note: H2 in ANSI and DIN Standards are the same

**Extended type bonnet without top mount**

| Valve Size (IEC) | D (mm) | L     |       |       | H2    |       |       | ANSI H |       |       | ANSI H1 |       |       | DIN H |      |      | DIN H1 |      |      |
|------------------|--------|-------|-------|-------|-------|-------|-------|--------|-------|-------|---------|-------|-------|-------|------|------|--------|------|------|
|                  |        | CL150 | CL300 | CL600 | CL150 | CL300 | CL600 | CL150  | CL300 | CL600 | CL150   | CL300 | CL600 | PN16  | PN25 | PN40 | PN16   | PN25 | PN40 |
| 15A              | 250    | 184   | 190   | 203   | 650   | 650   | 667   | 695    | 698   | 715   | 45      | 48    | 48    | 698   | 698  | 698  | 48     | 48   | 48   |
| 20A              | 250    | 184   | 194   | 206   | 650   | 650   | 677   | 709    | 719   | 736   | 49      | 59    | 59    | 713   | 713  | 713  | 53     | 53   | 53   |
| 25A              | 250    | 184   | 197   | 210   | 670   | 670   | 687   | 724    | 732   | 749   | 54      | 62    | 62    | 728   | 728  | 728  | 58     | 58   | 58   |
| 40A              | 300    | 222   | 235   | 251   | 696   | 696   | 763   | 760    | 774   | 841   | 64      | 78    | 78    | 771   | 771  | 771  | 75     | 75   | 75   |
| 50A              | 300    | 254   | 267   | 286   | 678   | 678   | 802   | 754    | 761   | 885   | 76      | 83    | 83    | 761   | 761  | 761  | 83     | 83   | 83   |
| 80A              | 350    | 298   | 317   | 337   | 835   | 835   | 885   | 930    | 940   | 990   | 95      | 105   | 105   | 935   | 935  | 935  | 100    | 100  | 100  |
| 100A             | 350    | 352   | 368   | 394   | 874   | 874   | 940   | 989    | 1001  | 1077  | 115     | 127   | 137   | 984   | 992  | 992  | 110    | 118  | 118  |
| 150A             | 460    | 451   | 473   | 508   | 1072  | 1072  | 1291  | 1212   | 1231  | 1469  | 140     | 159   | 178   | 1215  | 1222 | 1222 | 143    | 150  | 150  |
| 200A             | 465    | 543   | 568   | 610   | 1567  | 1567  | 1567  | 1739   | 1758  | 1777  | 172     | 191   | 210   | 1737  | 1755 | 1755 | 170    | 180  | 188  |
| 250A             | 465    | 673   | 708   | 752   | 1589  | 1589  | 1589  | 1792   | 1811  | 1843  | 203     | 222   | 254   | 1792  | 1814 | 1814 | 203    | 213  | 225  |

note: H2 in ANSI and DIN Standards are the same

**Bellows Seal type bonnet without top mount**

| Valve Size (IEC) | D (mm) | L     |       |       | H2    |       |       | ANSI H |       |       | ANSI H1 |       |       | DIN H |      |      | DIN H1 |      |      |
|------------------|--------|-------|-------|-------|-------|-------|-------|--------|-------|-------|---------|-------|-------|-------|------|------|--------|------|------|
|                  |        | CL150 | CL300 | CL600 | CL150 | CL300 | CL600 | CL150  | CL300 | CL600 | CL150   | CL300 | CL600 | PN16  | PN25 | PN40 | PN16   | PN25 | PN40 |
| 15A              | 250    | 184   | 190   | 203   | 663   | 706   | 825   | 708    | 754   | 873   | 45      | 48    | 48    | 711   | 754  | 754  | 48     | 48   | 48   |
| 20A              | 250    | 184   | 194   | 206   | 663   | 706   | 841   | 712    | 765   | 900   | 49      | 59    | 59    | 716   | 759  | 759  | 53     | 53   | 53   |
| 25A              | 250    | 184   | 197   | 210   | 663   | 706   | 841   | 717    | 768   | 903   | 54      | 62    | 62    | 721   | 764  | 764  | 58     | 58   | 58   |
| 40A              | 300    | 222   | 235   | 251   | 690   | 733   | 841   | 754    | 811   | 929   | 64      | 78    | 78    | 765   | 808  | 808  | 75     | 75   | 75   |
| 50A              | 300    | 254   | 267   | 286   | 689   | 729   | 849   | 762    | 812   | 932   | 76      | 83    | 83    | 769   | 812  | 812  | 83     | 83   | 83   |
| 80A              | 350    | 298   | 317   | 337   | 936   | 1029  | 1171  | 1031   | 1134  | 1276  | 95      | 105   | 105   | 1036  | 1129 | 1129 | 100    | 100  | 100  |
| 100A             | 350    | 352   | 368   | 394   | 944   | 1035  | 1179  | 1059   | 1163  | 1316  | 115     | 127   | 137   | 1054  | 1154 | 1154 | 110    | 118  | 118  |
| 150A             | 460    | 451   | 473   | 508   | 1214  | 1309  | N/A   | 1354   | 1468  | N/A   | 140     | 159   | 178   | 1357  | 1459 | 1459 | 143    | 150  | 150  |
| 200A             | 465    | 543   | 568   | N/A   | 1570  | 1570  | N/A   | 1742   | 1761  | N/A   | 172     | 191   | N/A   | 1740  | 1758 | N/A  | 170    | 180  | N/A  |
| 250A             | 465    | 673   | 708   | N/A   | 1596  | 1596  | N/A   | 1799   | 1818  | N/A   | 203     | 222   | N/A   | 1799  | 1821 | N/A  | 203    | 213  | N/A  |

note: H2 in ANSI and DIN Standards are the same







**WYECO**

# 7000 Series 3-Way Control Valve



## DESIGN FEATURES:

### TYPE:

- Direct or Reversed Type, Globe Valve.

### PRESSURE RATING:

- JIS10K, JIS20K, JIS30K, ANSI 150, ANSI 300, PN16, PN25, PN40.

### LEAKAGE:

- ANSI / FCI 70-2.

### GUIDING:

- Top & Bottom guide.

### FACE TO FACE:

- ISO 5752.

### END CONNECTIONS:

- Flanged end (FF, RF), Butt Welded Type.

### BONNET:

- Standard / Extended / Bellows Seal

### TRIMS:

- **STEM:** SUS304, SUS316, SUS316L.
- **VALVE PLUG:** Contour / V-Plug
- **PLUG CHARACTERISTICS:** Equal %, Linear & ON/OFF.
- **PLUG ACTION:** Diverting / Mixing.
- **MATERIAL:** SUS304, SUS316, SUS316L, SUS440C, HASTELLOY B & C.

### VALVE ACTION:

- Air to Open or Air to Close by direct or reversed actuator.

### PERFORMANCE:

- **RANGEABILITY:** 1/2" to 1" 30:1 / 1" & 1 1/2" to 6" 50:1.
- **ALLOWABLE SEAT LEAKAGE:**
  - **METAL SEAT:** <0.01% of rated Cv (FCI 70-2)
  - **SOFT SEAT:** FCI 70-2.

### ACTUATOR:

- **TYPE:** Multi-Spring Diaphragm Actuated, Direct or Reversed.
- **DIAPHRAGM MATERIAL:** Neoprene W/ fabric insert.
- **AIR SUPPLY:** 1.4, 2.4, 2.8, 3.2 kgf/cm<sup>2</sup>.
- **SPRING RANGE:** 0.2 to 1.0 kgf/cm<sup>2</sup>, 0.4 to 2.0 kgf/cm<sup>2</sup>, 0.6 to 2.2kgf/cm<sup>2</sup>, 0.8 to 2.4 kgf/cm<sup>2</sup>.
- **PNEUMATIC TUBING CONNECTION:** 1/4" PT female tap.
- **AMBIENT TEMPERATURE:** -20°C to +70°C.

### ACCESSORY:

- Manual Loader
- Positioner
- Solenoid Valve
- Limit Switch
- Air regulator
- Other

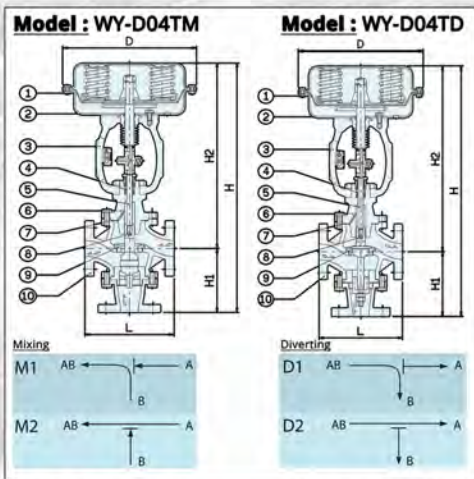
### APPLICATIONS:

- Machine Instrument Industry
- Petrochemical Industry
- Chemical Industry
- Textile Industry
- Gas & Semiconductor Industry
- Water Treatment Industry
- Steel Industry
- Pulp & Paper Industry

| Operating Temperature Limit |                      |                  |
|-----------------------------|----------------------|------------------|
| Body Material               | Plug Material        | Operating Temp.  |
| Cast Iron FC250             | Stainless Stl SUS304 | 0°C to +230°C    |
| Carbon Stl SCPH2            | Stainless Stl SUS304 | -20°C to +350°C  |
| Stainless Stl SCS13A        | Stainless Stl SUS304 | -196°C to +350°C |
| Stainless Stl SCS14A        | Stainless Stl SUS304 | -196°C to +350°C |

| Rate Cv Value |         |          |          |        |            |        |            |        |         |         |         |
|---------------|---------|----------|----------|--------|------------|--------|------------|--------|---------|---------|---------|
| Body Size     | Inch mm | 1/2" 15A | 3/4" 20A | 1" 25A | 1 1/2" 40A | 2" 50A | 2 1/2" 65A | 3" 80A | 4" 100A | 5" 125A | 6" 150A |
| Stroke        |         | 20       |          |        |            |        | 30         |        |         | 60      |         |
| Diverting Cv  |         | 4.3      | 7        | 14     | 31         | 55     | 85         | 109    | 205     | 293     | 395     |
| Mixing Cv     |         | 4.3      | 7        | 13     | 30.5       | 53.8   | 70.5       | 103    | 195     | 293     | 377     |

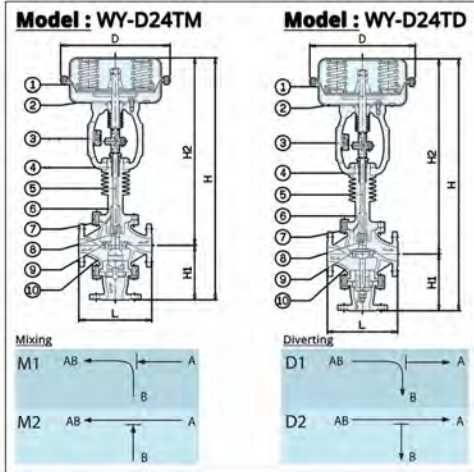




| Model: WY-D04TM / WY-D04TD |                 |                    |                    |
|----------------------------|-----------------|--------------------|--------------------|
| Parts & Material           |                 |                    |                    |
| No.                        | Part Name       | Material (FC250)   | Material (SCS13A)  |
| 1                          | Diaphragm       | Neoprene           | Neoprene           |
| 2                          | Case            | SPHC               | SPHC               |
| 3                          | Yoke            | FC250              | FC250              |
| 4                          | Gland Packing   | PTFE               | PTFE               |
| 5                          | Plug Stem       | SUS316             | SUS316             |
| 6                          | Bonnet          | FC250              | SUS304             |
| 7                          | Gasket Asbestos | *Graphite / 316SS, | *Graphite / 316SS, |
| 8                          | Plug            | SUS304             | SUS304             |
| 9                          | Seat            | CF8                | CF8M               |
| 10                         | Body            | FC250              | SCS13A             |

(\* Optional (Gylon for Air))

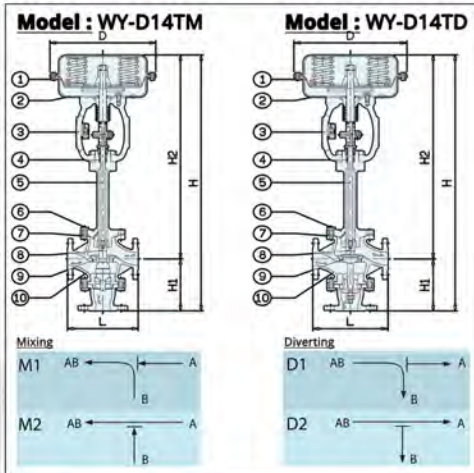
| Model: WY-D04TM / WY-D04TD |        |      |      |      |      |      |
|----------------------------|--------|------|------|------|------|------|
| Dimensions                 |        |      |      |      |      |      |
| Valve Size                 |        | D    | L    | H    | H1   | H2   |
| mm                         | Inch   | (mm) | (mm) | (mm) | (mm) | (mm) |
| 15A                        | 1/2"   | 250  | 130  | 554  | 140  | 414  |
| 20A                        | 3/4"   | 250  | 150  | 554  | 140  | 414  |
| 25A                        | 1"     | 250  | 160  | 554  | 140  | 414  |
| 40A                        | 1 1/2" | 300  | 200  | 631  | 162  | 469  |
| 50A                        | 2      | 300  | 230  | 646  | 170  | 476  |
| 65A                        | 2 1/2" | 300  | 290  | 687  | 195  | 492  |
| 80A                        | 3"     | 350  | 310  | 771  | 215  | 556  |
| 100A                       | 4"     | 350  | 350  | 815  | 240  | 575  |
| 125A                       | 5"     | 460  | 400  | 1034 | 265  | 769  |
| 150A                       | 6"     | 460  | 480  | 1106 | 305  | 801  |



| Model: WY-D24TM / WY-D24TD |                 |                    |                    |
|----------------------------|-----------------|--------------------|--------------------|
| Parts & Material           |                 |                    |                    |
| No.                        | Part Name       | Material (SCPH2)   | Material (SCS13A)  |
| 1                          | Diaphragm       | Neoprene           | Neoprene           |
| 2                          | Case            | SPHC               | SPHC               |
| 3                          | Yoke            | FC250              | FC250              |
| 4                          | Gland Packing   | Grafoil            | Grafoil            |
| 5                          | Plug Stem       | SUS630             | SUS316             |
| 6                          | Bonnet          | S20C               | SUS304             |
| 7                          | Gasket Asbestos | *Graphite / 316SS, | *Graphite / 316SS, |
| 8                          | Plug            | SUS630             | SUS304             |
| 9                          | Seat            | SUS630             | CF8M               |
| 10                         | Body            | SCPH2              | SCS13A             |

(\* Optional (Gylon for Air))

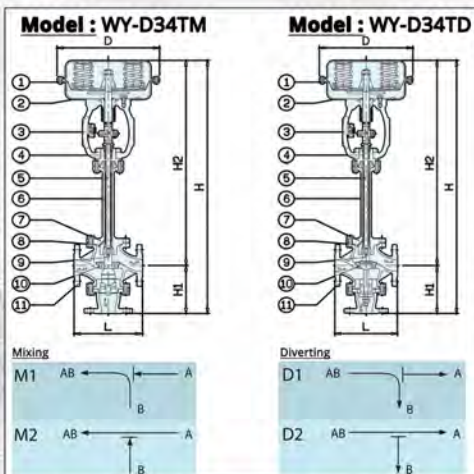
| Model: WY-D24TM / WY-D24TD |        |      |      |      |      |      |
|----------------------------|--------|------|------|------|------|------|
| Dimensions                 |        |      |      |      |      |      |
| Valve Size                 |        | D    | L    | H    | H1   | H2   |
| mm                         | Inch   | (mm) | (mm) | (mm) | (mm) | (mm) |
| 15A                        | 1/2"   | 250  | 130  | 629  | 140  | 489  |
| 20A                        | 3/4"   | 250  | 150  | 629  | 140  | 489  |
| 25A                        | 1"     | 250  | 160  | 629  | 140  | 489  |
| 40A                        | 1 1/2" | 300  | 200  | 719  | 162  | 557  |
| 50A                        | 2      | 300  | 230  | 734  | 170  | 564  |
| 65A                        | 2 1/2" | 300  | 290  | 775  | 195  | 580  |
| 80A                        | 3"     | 350  | 310  | 866  | 215  | 651  |
| 100A                       | 4"     | 350  | 350  | 910  | 240  | 670  |
| 125A                       | 5"     | 460  | 400  | 1173 | 265  | 908  |
| 150A                       | 6"     | 460  | 480  | 1245 | 305  | 940  |



| Model: WY-D14TM / WY-D14TD |                 |                    |                    |
|----------------------------|-----------------|--------------------|--------------------|
| Parts & Material           |                 |                    |                    |
| No.                        | Part Name       | Material (SCPH2)   | Material (SCS13A)  |
| 1                          | Diaphragm       | Neoprene           | Neoprene           |
| 2                          | Case            | SPHC               | SPHC               |
| 3                          | Yoke            | FC250              | FC250              |
| 4                          | Gland Packing   | Grafoil            | Grafoil            |
| 5                          | Plug Stem       | SUS630             | SUS316             |
| 6                          | Bonnet          | S20C               | SUS304             |
| 7                          | Gasket Asbestos | *Graphite / 316SS, | *Graphite / 316SS, |
| 8                          | Plug            | SUS630             | SUS304             |
| 9                          | Seat            | SUS630             | CF8M               |
| 10                         | Body            | SCPH2              | SCS13A             |

(\* Optional (Gylon for Air))

| Model: WY-D14TM / WY-D14TD |        |      |      |      |      |      |
|----------------------------|--------|------|------|------|------|------|
| Dimensions                 |        |      |      |      |      |      |
| Valve Size                 |        | D    | L    | H    | H1   | H2   |
| mm                         | Inch   | (mm) | (mm) | (mm) | (mm) | (mm) |
| 15A                        | 1/2"   | 250  | 130  | 725  | 140  | 585  |
| 20A                        | 3/4"   | 250  | 150  | 725  | 140  | 585  |
| 25A                        | 1"     | 250  | 160  | 725  | 140  | 585  |
| 40A                        | 1 1/2" | 300  | 200  | 797  | 162  | 635  |
| 50A                        | 2      | 300  | 230  | 812  | 170  | 642  |
| 65A                        | 2 1/2" | 300  | 290  | 866  | 195  | 671  |
| 80A                        | 3"     | 350  | 310  | 958  | 215  | 743  |
| 100A                       | 4"     | 350  | 350  | 1002 | 240  | 962  |
| 125A                       | 5"     | 460  | 400  | 1208 | 265  | 943  |
| 150A                       | 6"     | 460  | 480  | 1280 | 305  | 975  |



| Model: WY-D34TM / WY-D34TD |               |                    |                    |
|----------------------------|---------------|--------------------|--------------------|
| Parts & Material           |               |                    |                    |
| No.                        | Part Name     | Material (SCPH2)   | Material (SCS13A)  |
| 1                          | Diaphragm     | Neoprene           | Neoprene           |
| 2                          | Case          | SPHC               | SPHC               |
| 3                          | Yoke          | FC250              | FC250              |
| 4                          | Gland Packing | Grafoil            | PTFE               |
| 5                          | Plug Stem     | SUS630             | SUS316             |
| 6                          | Bellows Seal  | SUS316Ti           | SUS316Ti           |
| 7                          | Bonnet        | S20C               | SUS304             |
| 8                          | Gasket        | *Graphite / 316SS, | *Graphite / 316SS, |
| 9                          | Plug          | SUS630             | SUS304             |
| 10                         | Seat          | SUS630             | CF8M               |
| 11                         | Body          | SCPH2              | SCS13A             |

(\* Optional (Gylon for Air))

| Model: WY-D34TM / WY-D34TD |        |      |      |      |      |      |
|----------------------------|--------|------|------|------|------|------|
| Dimensions                 |        |      |      |      |      |      |
| Valve Size                 |        | D    | L    | H    | H1   | H2   |
| mm                         | Inch   | (mm) | (mm) | (mm) | (mm) | (mm) |
| 15A                        | 1/2"   | 250  | 130  | 764  | 140  | 624  |
| 20A                        | 3/4"   | 250  | 150  | 764  | 140  | 624  |
| 25A                        | 1"     | 250  | 160  | 764  | 140  | 624  |
| 40A                        | 1 1/2" | 300  | 200  | 828  | 162  | 666  |
| 50A                        | 2      | 300  | 230  | 843  | 170  | 673  |
| 65A                        | 2 1/2" | 300  | 290  | 918  | 195  | 723  |
| 80A                        | 3"     | 350  | 310  | 976  | 215  | 761  |
| 100A                       | 4"     | 350  | 350  | 1020 | 240  | 780  |
| 125A                       | 5"     | 460  | 400  | 1478 | 265  | 1213 |
| 150A                       | 6"     | 460  | 480  | 1518 | 305  | 1213 |





**WYECO**



# Cylinder Actuated Y-Type Control Valve



## DESIGN FEATURES:

Standard Type Closed by Spring Action and Air to Open/Close.

### FEATURES:

- Standard optical position indicator.
- Suitable for contaminated flow fluid.
- Optional reverse flow direction.
- High Flow rate.
- With or without mounted pilot valve.
- Compact size and lightweight.

### SPECIFICATION:

- **Type:** Single Seated, Globe Type.
- **Material:** SCS14A.
- **End Connection:** Flanged End (RF) JIS10k, ANSI 150lbs, PN10, PN16.  
Screwed End (PT / NPT / BSP).  
Welded End.
- **Bonnet:** Standard (-20°C to +200°C).
- **Gland Packing:** V-Teflon, TFM4215.
- **Gasket:** Teflon.

### TRIMS:

- **Stem:** SUS316.
- **Valve Plug:** Single Seat.
- **Plug Characteristic:** ON / OFF.
- **Material:** SUS316.

### ACTUATOR:

- **Type:** Single Cylinder.
- **Cylinder Material:** SUS304.
- **Air Supply:** 3-6 kgf/cm<sup>2</sup>.
- **Ambient Temperature:** -20°C to +60°C.

### Valve Action:

- Air to Open / Air to Close with Direct or Reversed Actuator.

### Accessory:

- Solenoid Valve, Limited Switch, Air Set or Other Rate CV Valve .

## APPLICATIONS:

- Suitable for Vertical or Horizontal lines.
- Prevent reverse fluid flow with high pressure and/or temperature applications.
- Suitable for water, gas, and oil.
- Used to avoid idling of water meter.
- Industries: Electronic, Machinery, Refrigeration, Food & Beverage, etc...

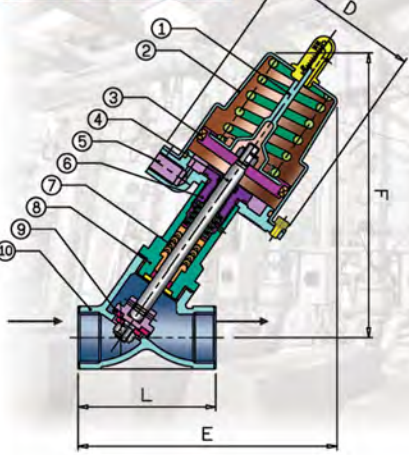


| Rate Cv Valve |      |      |      |    |        |        |    |        |
|---------------|------|------|------|----|--------|--------|----|--------|
| Body Size     | Inch | 1/2" | 3/4" | 1" | 1 1/4" | 1 1/2" | 2" | 2 1/2" |
|               | mm   | 15   | 20   | 25 | 32     | 40     | 50 | 65     |
| Stroke        |      | 13   | 13   | 15 | 15     | 18     | 18 | 23     |
| Rate Cv       |      | 4.2  | 8    | 13 | 22     | 31     | 48 | 75     |

| Allowable Shut-Off Pressure |                        |                       |                       |                      |                      |                      |                      |                      |
|-----------------------------|------------------------|-----------------------|-----------------------|----------------------|----------------------|----------------------|----------------------|----------------------|
| Body Size                   | Inch                   | 1/2"                  | 3/4"                  | 1"                   | 1 1/4"               | 1 1/2"               | 2"                   | 2 1/2"               |
|                             | mm                     | 15                    | 20                    | 25                   | 32                   | 40                   | 50                   | 65                   |
| 70                          | 3-5kgf/cm <sup>2</sup> | 10kgf/cm <sup>2</sup> |                       |                      |                      |                      |                      |                      |
|                             |                        |                       | 10kgf/cm <sup>2</sup> |                      |                      |                      |                      |                      |
| 80                          | 3-6kgf/cm <sup>2</sup> |                       |                       | 7kgf/cm <sup>2</sup> |                      |                      |                      |                      |
|                             |                        |                       |                       | 9kgf/cm <sup>2</sup> | 6kgf/cm <sup>2</sup> |                      |                      |                      |
| 100                         | 3-6kgf/cm <sup>2</sup> |                       |                       |                      |                      | 6kgf/cm <sup>2</sup> |                      |                      |
|                             |                        |                       |                       |                      |                      |                      | 6kgf/cm <sup>2</sup> |                      |
|                             |                        |                       |                       |                      |                      | 9kgf/cm <sup>2</sup> |                      |                      |
|                             |                        |                       |                       |                      |                      |                      | 9kgf/cm <sup>2</sup> |                      |
|                             |                        |                       |                       |                      |                      |                      |                      | 6kgf/cm <sup>2</sup> |



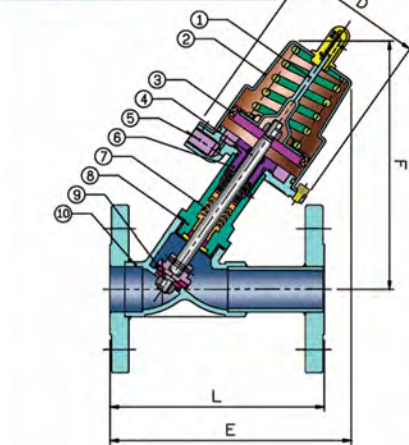
Model : WY - C08YT - S (Size : 1/2" ~ 2")



| Parts & Material |                  |                  |
|------------------|------------------|------------------|
| No:              | Part             | Material         |
| 1                | Indicating Rod   | PA + Glass Fiber |
| 2                | Cover Hood       | SUS304           |
| 3                | Grooved Ring     | NBR              |
| 4                | Valve Stem       | SUS316           |
| 5                | Actuator Housing | SCS13            |
| 6                | Gland            | C3604            |
| 7                | V-Packing        | PTFE             |
| 8                | Stem Tube        | SCS14A           |
| 9                | Seat Ring        | PTFE             |
| 10               | Body             | SCS14A           |

| Dimensions (Model WY-C08YT-S) |        |               |        |        |        |     |
|-------------------------------|--------|---------------|--------|--------|--------|-----|
| Valve Size                    |        | Socket Welded |        |        |        |     |
| mm                            | Inch   | L (mm)        | E (mm) | F (mm) | D (mm) | Kg  |
| 15                            | 1/2"   | 65            | 153    | 170    | 97     | 1.7 |
| 20                            | 3/4"   | 75            | 157    | 174    | 97     | 1.8 |
| 25                            | 1"     | 90            | 169    | 186    | 97     | 2.2 |
| 32                            | 1 1/4" | 100           | 182    | 196    | 107    | 2.8 |
| 40                            | 1 1/2" | 120           | 187    | 199    | 107    | 3.1 |
| 50                            | 2"     | 150           | 195    | 204    | 107    | 4.4 |

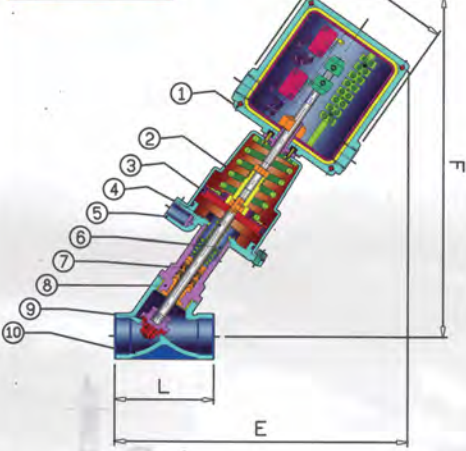
Model : WY - C08YT - F (Size : 1/2" ~ 2")



| Parts & Material |                  |                  |
|------------------|------------------|------------------|
| No:              | Part             | Material         |
| 1                | Indicating Rod   | PA + Glass Fiber |
| 2                | Cover Hood       | SUS304           |
| 3                | Grooved Ring     | NBR              |
| 4                | Valve Stem       | SUS316           |
| 5                | Actuator Housing | SCS13            |
| 6                | Gland            | C3604            |
| 7                | V-Packing        | PTFE             |
| 8                | Stem Tube        | SCS14A           |
| 9                | Seat Ring        | PTFE             |
| 10               | Body             | SCS14A           |

| Dimensions (Model WY-C08YT-F) |        |        |     |        |        |        |     |
|-------------------------------|--------|--------|-----|--------|--------|--------|-----|
| Valve Size                    |        | L (mm) |     |        |        |        |     |
| mm                            | Inch   | ISO    | JIS | E (mm) | F (mm) | D (mm) | Kg  |
| 15                            | 1/2"   | 150    | 150 | 162    | 170    | 97     | 2.9 |
| 20                            | 3/4"   | 150    | 150 | 169    | 174    | 97     | 3.3 |
| 25                            | 1"     | 160    | 160 | 181    | 186    | 97     | 4.5 |
| 32                            | 1 1/4" | 180    | 180 | 195    | 196    | 107    | 5.5 |
| 40                            | 1 1/2" | 200    | 190 | 200    | 199    | 107    | 6.2 |
| 50                            | 2"     | 230    | 220 | 209    | 204    | 107    | 8.3 |

Option: Limit Switch



| Parts & Material |                  |             |
|------------------|------------------|-------------|
| No:              | Part             | Material    |
| 1                | Limit Switch Box | Alum. Alloy |
| 2                | Cover Hood       | SUS304      |
| 3                | Grooved Ring     | NBR         |
| 4                | Valve Stem       | SUS316      |
| 5                | Actuator Housing | SCS13       |
| 6                | Gland            | C3604       |
| 7                | V-Packing        | PTFE        |
| 8                | Stem Tube        | SCS14A      |
| 9                | Seat Ring        | PTFE        |
| 10               | Body             | SCS14A      |

| Dimensions (Model LIMIT SWITCH) |        |               |        |        |        |  |
|---------------------------------|--------|---------------|--------|--------|--------|--|
| Valve Size                      |        | Socket Welded |        |        |        |  |
| mm                              | Inch   | L (mm)        | E (mm) | F (mm) | D (mm) |  |
| 15                              | 1/2"   | 65            | 247    | 289    | 120    |  |
| 20                              | 3/4"   | 75            | 252    | 292    | 120    |  |
| 25                              | 1"     | 90            | 264    | 304    | 120    |  |
| 32                              | 1 1/4" | 100           | 274    | 313    | 120    |  |
| 40                              | 1 1/2" | 120           | 283    | 315    | 120    |  |
| 50                              | 2"     | 150           | 287    | 320    | 120    |  |





**WYECO**

# Sanitary Control Valve



## PRODUCT FEATURES:

### SIZE RANGE:

- DN25 (1") to DN100 (4")

### LEAKAGE CLASS:

- PTFE material soft seat meets FDA,
- Leakage Class VI (ANSI / FCI 70-2, IEC60534-4 Standard).

### RANGEABILITY:

- 30:1 for Linear Trim
- 50:1 for WYECO EQ%

### TRAVEL:

- 20mm for DN25 (1") to DN50 (2")
- 30mm for DN65 (2-1/2") to DN100 (4")

### SURFACE FINISH:

- 0.4  $\mu\text{m}$  for Internal ; 0.6  $\mu\text{m}$  for External

### ACTUATOR:

- Stainless steel diaphragm actuator cases with optional polished case.
- Support Air to Open & Air to Close

### CONNECTION:

- Clamp Connection meets ISO 2852 Standard

### QUICK CHANGE TRIM:

- Each valve size has 2 to 4 flow capacity plug with quick change plug for easy maintenance.

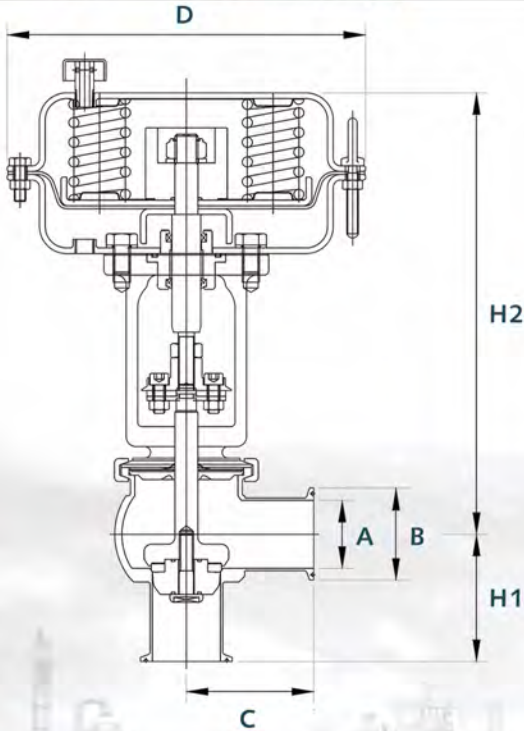


### Maximum Allowable Differential Pressure (ATO, Pressure bar)

| ACTUATOR | SPRING RANGE                          | LEAKAGE CLASS | Valve Size |      |      |      |      |       |
|----------|---------------------------------------|---------------|------------|------|------|------|------|-------|
|          |                                       |               | VI         | VI   | VI   | VI   | VI   | VI    |
|          | P <sub>START</sub> ~ P <sub>END</sub> | TRAVEL(mm)    | DN25       | DN40 | DN50 | DN65 | DN80 | DN100 |
| 200      | 1.2 ~ 2.6                             | 20mm          | 15         |      |      |      |      |       |
| 250      | 1.1 ~ 2.1                             |               |            | 15   | 8.5  |      |      |       |
| 300      | 1.2 ~ 2.3                             |               |            |      | 15   |      |      |       |
| 300      | 1.2 ~ 2.8                             | 30mm          |            |      |      | 8.5  | 6    |       |
| 350      | 1.7 ~ 3.1                             |               |            |      |      | 15   | 15   | 6     |

### Maximum Allowable Differential Pressure (ATC, Pressure bar)

| ACTUATOR | SPRING RANGE                          | LEAKAGE CLASS | Valve Size |      |      |      |      |       |
|----------|---------------------------------------|---------------|------------|------|------|------|------|-------|
|          |                                       |               | VI         | VI   | VI   | VI   | VI   | VI    |
|          | P <sub>START</sub> ~ P <sub>END</sub> | TRAVEL(mm)    | DN25       | DN40 | DN50 | DN65 | DN80 | DN100 |
| 200      | 0.9 ~ 1.9(2.6)                        | 20mm          | 15         |      |      |      |      |       |
| 250      | 0.6 ~ 1.1(2.4)                        |               |            | 15   | 15   |      |      |       |
| 300      | 0.6 ~ 1.4(2.8)                        | 30mm          |            |      |      | 15   |      |       |
| 350      | 0.9 ~ 1.0(3.4)                        |               |            |      |      |      | 15   | 13    |



|       | A    | B    | C     | H1    | H2    | D   |
|-------|------|------|-------|-------|-------|-----|
| DN25  | 22.1 | 50.5 | 63.5  | 63.5  | 298.5 | 200 |
| DN40  | 34.8 | 50.5 | 69.9  | 69.9  | 325   | 250 |
| DN50  | 47.5 | 64   | 88.9  | 88.9  | 351.5 | 300 |
| DN65  | 60.2 | 77.5 | 88.9  | 88.9  | 387.5 | 300 |
| DN80  | 72.9 | 91   | 95.3  | 95.3  | 418.6 | 350 |
| DN100 | 97.4 | 119  | 114.3 | 114.3 | 429.4 | 350 |





**WYECO**

# Hyper-Cryogenic Emergency Shut-Off Valve



## PRODUCT FEATURES:

### SIZE:

- Lightweight & compact design.

### Bonnet:

- Optimum bonnet length to prevent coagulation below dew point.

### Valve Seat:

- **Soft Touch:** The SW or BW Valve housing uses Soft Touch valve seat which cannot be removed to prevent tampering.
- **Metal Touch:** Liquefied Gas lacks lubrication, Austenite Stainless Steel valve housing is cast as a whole with bearing surfaces coated with Stellite Metal which largely increases the lifespan of the valve.

### GLAND:

- Gland Packing O-Ring is formed from durable Teflon.

### GASKET:

- Gylon gaskets with minimal shrinkage and excellent restoration feature for ultra-low temperature application (-210°C to +260°C).

## DESIGN FEATURES:

### VALVE ACTION:

- Air to Open / Air to Close by using direct or reversed actuator.

### ACTUATOR:

- **Actuator Type:** Cylinder Actuator w/ Spring return.
- **Ambient Temperature:** -196°C to +100°C.
- **Air Supply:** 5 kgf/cm<sup>2</sup>.
- **Cylinder Material:** Aluminum Alloy.

### PRESSURE RATING:

- JIS10k, JIS20K, JIS30K, ANSI 150lbs, ANSI 300lbs, DIN PN16, PN25

### END CONNECTION:

- Flanged End, Socket Welded, Butt Welded.

### APPLICATIONS:

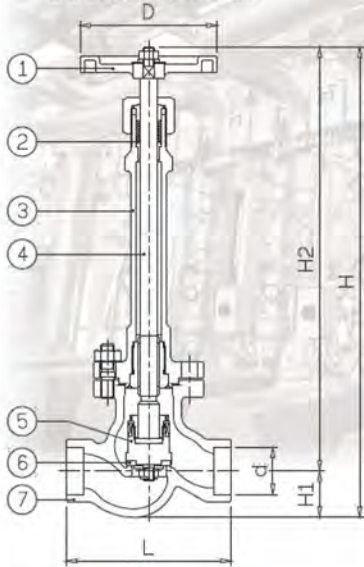
- LNG
- Liquid Nitrogen
- Liquid Carbon Dioxide
- Electronic Industry
- Semiconductor Industry
- Refrigeration

| Rate Cv Value |        |                |            |
|---------------|--------|----------------|------------|
| Body Size     |        | Stroke<br>(mm) | Rate<br>Cv |
| mm            | Inch   |                |            |
| 15            | 1/2"   | 8              | 5          |
| 20            | 3/4"   | 8              | 8          |
| 25            | 1"     | 8              | 12         |
| 40            | 1 1/2" | 14             | 31         |
| 50            | 2"     | 14             | 47         |

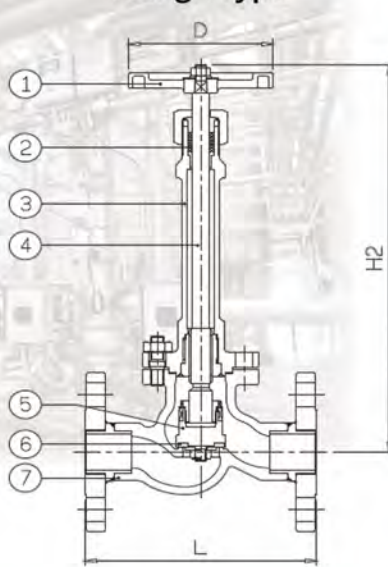
| Allowable Shut-Off Pressure (ATO) |                     |            |    |    |    |     |
|-----------------------------------|---------------------|------------|----|----|----|-----|
| Actuator<br>Size                  | Air<br>Supply       | Valve Size |    |    |    |     |
|                                   |                     | 15         | 20 | 25 | 40 | 50  |
| 80                                | 5kg/cm <sup>2</sup> | 22         | 13 | 8  |    |     |
| 100                               | 5kg/cm <sup>2</sup> | 25         | 25 | 25 | 10 | 6   |
| 125                               | 5kg/cm <sup>2</sup> |            |    |    | 13 | 8.5 |



### Socket Welded



### Flange Type



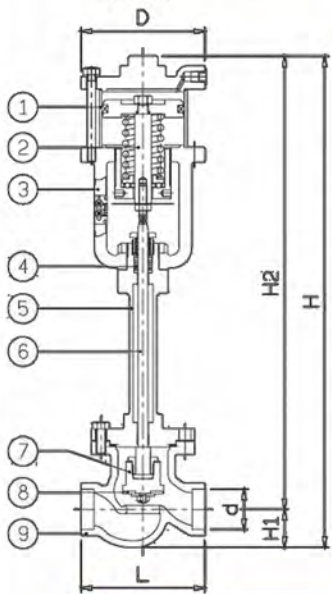
| Parts & Material |              |          |
|------------------|--------------|----------|
| No:              | Part         | Material |
| 1                | Handel Wheel | ZDC3     |
| 2                | V-Packing    | PTFE     |
| 3                | Bonnet       | SUS316   |
| 4                | Plug Stem    | SUS316   |
| 5                | Plug         | SUS316   |
| 6                | Seat Ring    | PCTFE    |
| 7                | Body         | SCS14A   |

| Dimensions (Model M08GC-SCS14A) Standard Bonnet |        |               |        |         |         |        |             |     |        |
|---|--------|---------------|--------|---------|---------|--------|-------------|-----|--------|
| Valve Size                                      |        | Socket Welded |        |         |         |        | Flange Type |     | D (mm) |
| mm  | Inch   | L (mm)        | d (mm) | H1 (mm) | H2 (mm) | H (mm) | L (mm)      |     |        |
| 15  | 1/2"   | 90            | 21.8   | 23      | 217     | 240    | 150         | 100 |        |
| 20  | 3/4"   | 100           | 27.3   | 29      | 217     | 246    | 150         | 100 |        |
| 25  | 1"     | 120           | 34.1   | 34      | 227     | 261    | 160         | 100 |        |
| 40  | 1 1/2" | 150           | 48.8   | 46      | 283     | 329    | 200         | 140 |        |
| 50  | 2"     | 180           | 61.2   | 55      | 296     | 351    | 230         | 140 |        |

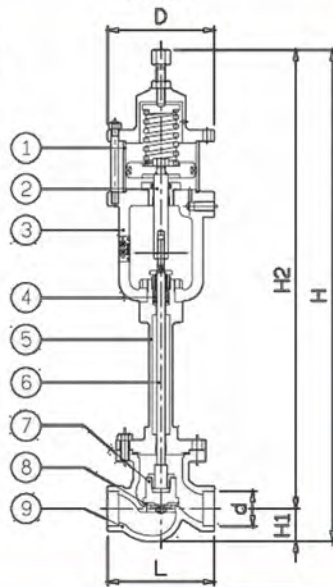
| Dimensions (Model M18GC-SCS14A) Extended Bonnet |        |               |        |         |         |        |             |     |        |
|---|--------|---------------|--------|---------|---------|--------|-------------|-----|--------|
| Valve Size                                      |        | Socket Welded |        |         |         |        | Flange Type |     | D (mm) |
| mm  | Inch   | L (mm)        | d (mm) | H1 (mm) | H2 (mm) | H (mm) | L (mm)      |     |        |
| 15  | 1/2"   | 90            | 21.8   | 23      | 296     | 319    | 150         | 100 |        |
| 20  | 3/4"   | 100           | 27.3   | 29      | 296     | 325    | 150         | 100 |        |
| 25  | 1"     | 120           | 34.1   | 34      | 306     | 340    | 160         | 100 |        |
| 40  | 1 1/2" | 150           | 48.8   | 46      | 361     | 407    | 200         | 140 |        |
| 50  | 2"     | 180           | 61.2   | 55      | 374     | 429    | 230         | 140 |        |

1

### ATC



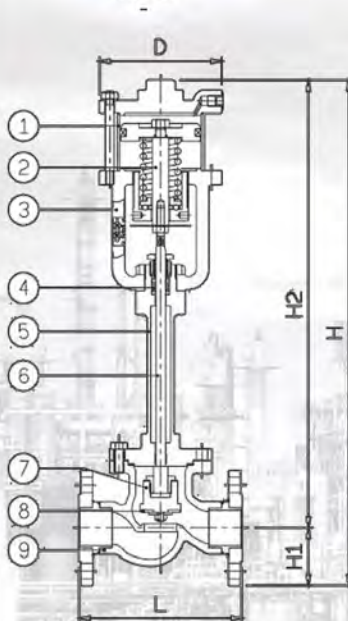
### ATO



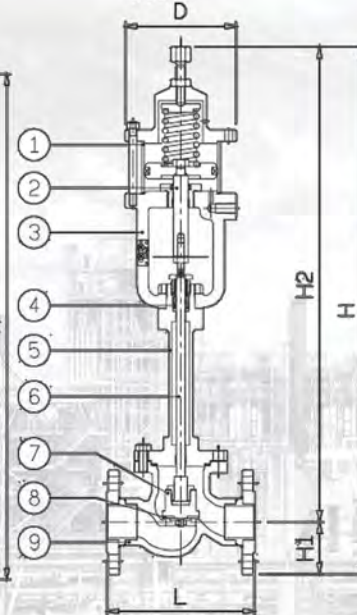
| Parts & Material |               |             |
|------------------|---------------|-------------|
| No:              | Part          | Material    |
| 1                | Cylinder      | Alum. Alloy |
| 2                | Actuator Stem | SS41        |
| 3                | Yoke          | FC250       |
| 4                | V-Packing     | PTFE        |
| 5                | Bonnet        | SUS316      |
| 6                | Plug Stem     | SUS316      |
| 7                | Plug          | SUS316      |
| 8                | Seat Ring     | PCTFE       |
| 9                | Body          | SCS14A      |

| Dimensions (Model M18GC) Socket Welded |        |        |        |         |         |        |         |        |        |
|--|--------|--------|--------|---------|---------|--------|---------|--------|--------|
| Valve                                  |        | L (mm) | d (mm) | H1 (mm) | ATC     |        | ATO     |        | D (mm) |
| mm                                     | Inch   |        |        |         | H2 (mm) | H (mm) | H2 (mm) | H (mm) |        |
| 15                                     | 1/2"   | 90     | 21.8   | 23      | 442     | 465    | 531     | 554    | 120    |
| 20                                     | 3/4"   | 100    | 27.3   | 29      | 442     | 471    | 531     | 560    | 120    |
| 25                                     | 1"     | 120    | 34.1   | 34      | 452     | 486    | 531     | 565    | 120    |
| 40                                     | 1 1/2" | 150    | 48.8   | 46      | 548     | 594    | 646     | 692    | 150    |
| 50                                     | 2"     | 180    | 61.2   | 55      | 561     | 616    | 650     | 705    | 150    |

### ATC



### ATO



| Dimensions (Model M18GC) Flange Type (JIS10k) |        |        |         |         |        |         |        |        |
|---|--------|--------|---------|---------|--------|---------|--------|--------|
| Valve   |        | L (mm) | H1 (mm) | ATC     |        | ATO     |        | D (mm) |
| mm  | Inch   |        |         | H2 (mm) | H (mm) | H2 (mm) | H (mm) |        |
| 15  | 1/2"   | 150    | 48      | 442     | 490    | 531     | 579    | 120    |
| 20  | 3/4"   | 150    | 50      | 442     | 492    | 531     | 581    | 120    |
| 25  | 1"     | 160    | 63      | 452     | 515    | 541     | 604    | 120    |
| 40  | 1 1/2" | 200    | 70      | 548     | 618    | 646     | 716    | 150    |
| 50  | 2"     | 230    | 78      | 561     | 639    | 650     | 728    | 150    |





**WYECO**



# Steam Trap

## *Inverted Bucket*

### PRODUCT FEATURES:

#### Size:

- 1/2" to 2" (according to the flow capacity).

#### PRESSURE RATING:

- For Pressure up to 250 psig

#### FEATURES:

- Corrosion resistant parts
- Works under back pressure
- Connection Type: Threaded End, Flanged End
- Body Material: Cast Iron
- Large Capacity, High Discharge Volume
- Low Leakage, Energy efficient

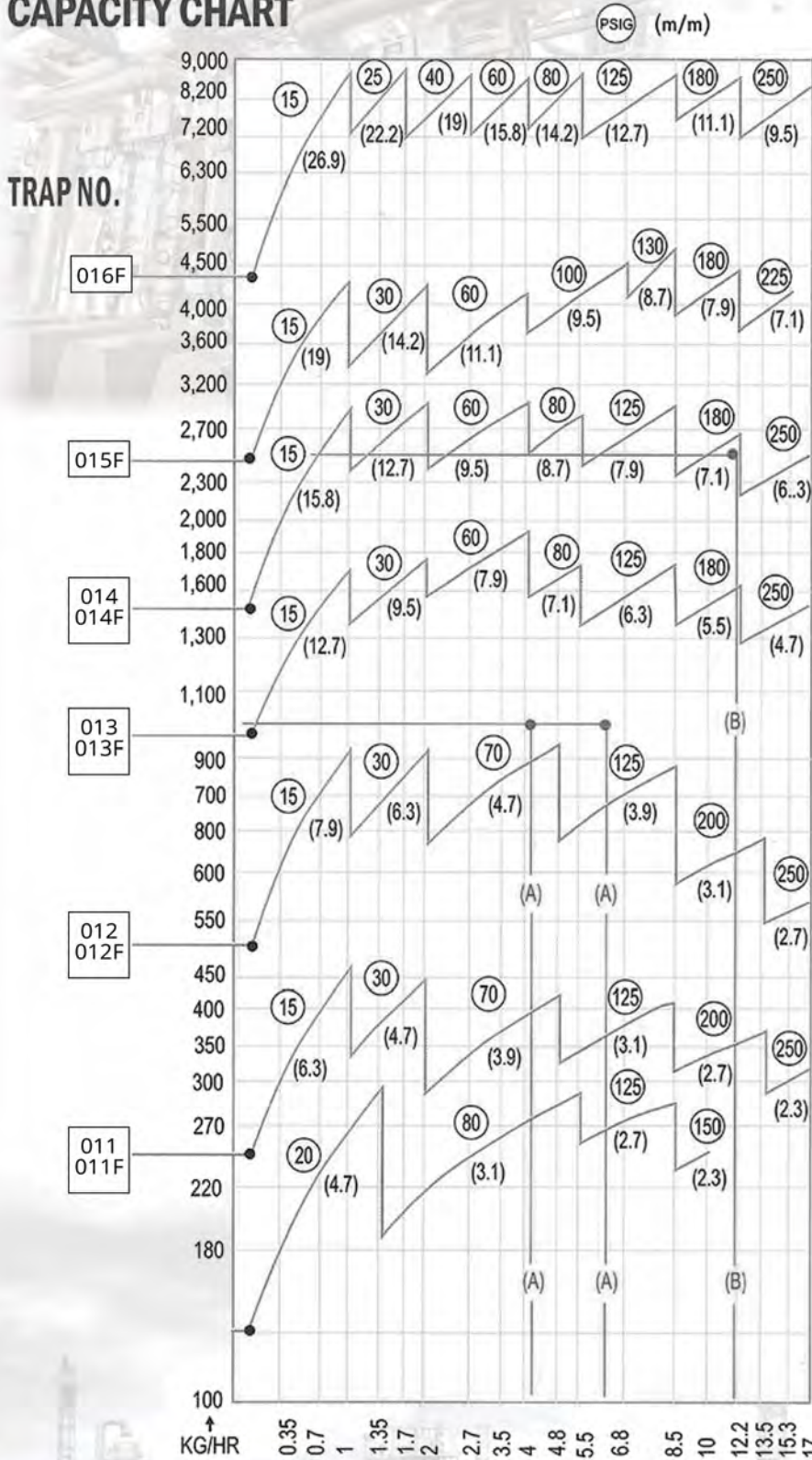
#### APPLICATIONS:

- Air Compressor
- Electricity Generator
- Petroleum Refinery
- Steam Piping
- Food Industry
- Pulp & Paper Industry
- General Industry

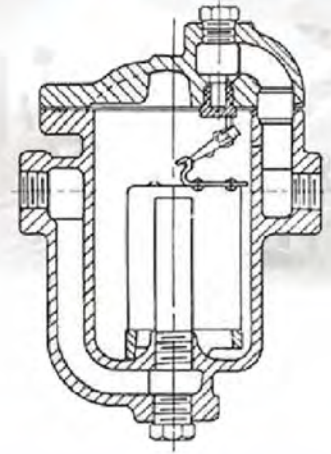




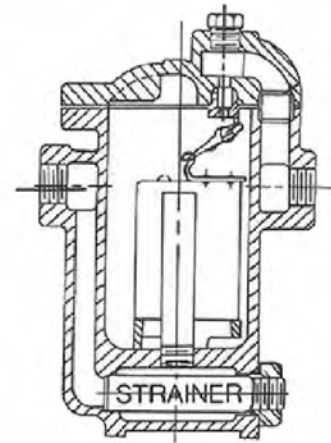
# CAPACITY CHART



Trap Model No.:011-014



Trap Model No.:011F-016F



| Product |          |    |      |        |             |             |
|---------|----------|----|------|--------|-------------|-------------|
| WY-M    | Trap No. | ST | Size |        | Screwed End |             |
|         | 011F     |    | 15A  | 1/2"   | J1          | JIS10k      |
|         | 12F      |    | 20A  | 3/4"   | SE          | Screwed End |
|         | 13F      |    | 25A  | 1"     |             |             |
|         | 14F      |    | 40A  | 1 1/2" |             |             |
|         | 15F      |    | 50A  | 2"     |             |             |
|         | 16F      |    |      |        |             |             |



## NOTE

A series of 25 horizontal dashed lines for writing.









# WYECO AUTO VALVES CO., LTD



## WYECO AUTO VALVES CO., LTD.

- **Taipei Office**  
ADD : 4F., No. 98, Sec. 3, Jianguo N. Rd., Zhongshan Dist., Taipei City 10482, Taiwan  
TEL : +886-2-2502-5166(REP) FAX : +886-2-2501-2863
- **Taoyuan Factory**  
ADD : No. 6, Ln. 2, Sec. 3, Shanlin Rd., Luzhu Dist., Taoyuan City 33841, Taiwan  
TEL : +886-3-324-5116 FAX : +886-3-324-5196
- **Mailiao Factory**  
ADD : No. 250, Aly. 55, Ln. 505, Gongye Rd., Mailiao Township, Yunlin County 63861, Taiwan  
TEL : +886-5-691-7552 FAX : +886-5-691-5618
- **Kaohsiung Factory**  
ADD : No. 293-2, Fengren Rd., Renwu Dist., Kaohsiung City 81465, Taiwan  
TEL : +886-7-373-5236 FAX : +886-7-373-5239
- **Customer Service Center**  
Mobile/ +886-972-229-310  
Email / wyecoservice@wyeco.com.tw
- **Website / [www.wyeco.com.tw](http://www.wyeco.com.tw)**
- **Email / [wyeco@wyeco.com.tw](mailto:wyeco@wyeco.com.tw)**
- Professionally designing, manufacture, maintenance, modification, CV testing, assembly consultant, and chemical process for control valve.

CRN



CE

